



AXIAL, TUBEAXIAL & PROPELLER FANS

AEP P/N	CFM 0"	HZ	VOLTS	AMPS	Ø	mf	RPM	DIA	LGTH
A7K6E-1CC	65	60/400	115AC	.4/1.0	1		2,500/6,500	5.50	4.12
A4K127J-1CC	70	60/400	115AC	.45	1	1.0	4,000	3.38	4.17
A4H2Q-2C	105	60	115AC	.10	1	1.0	3,400	4.00	2.95
A4H5K-1	150	400	115AC	.50	1	0.4	3,800	5.00	4.01
A4K127J-2	150	400	200AC	.50	3	-	11,300	3.38	4.00
A5Q4X-1	170	400	200AC	.30	3	-	7,000	4.00	3.26
A7U6F-1	245	400	200AC	1.15	3	-	3,800	7.50	4.88
A7U7G-1	290	60	115AC	.21	1	2.0	3,400	7.50	4.25
A7K126K-1C	300	60	440AC	.20	3	-	3,500	6.50	4.94
A7R126QF-1C	315	60/400	115AC	.23/.64	1	1.0	3,400/3,800	6.50	5.00
A7W13Q-7C	350	60	115AC	.47	1	2.0	1,720	8.00	6.25
AD7W13Q-1	350	-	115DC	1.8	-	-	3,600	8.00	7.62
A7W13Q-18	375	60	115AC	.47	1	2.0	1,720	8.00	6.25
A7R126K-2C	380	400	115AC	.84	1	1.0	3,820	6.50	4.94
A7W13Q-15C	380	60	115AC	.40	1		1,740	8.00	7.31
A7Z6F-1C	450	400	200AC	4.1	3	-	3,650	5.58	7.38
A7R126K-4C	475	400	115AC	1.0	1	1.0	5,100	6.50	4.94
A7W13Q-16	520	60	115AC	.56	1	2.0	3,320	8.00	6.40
A7W13Q-19	580	400	200AC	.93	3	-	3,780	8.00	6.25
A7W13Q-17C	635	60	200AC	.41	3	-	3,440	8.00	6.25
A7U12G-1C	690	400	115AC	1.35	1	1.0	3,650	7.50	6.81
A7W13Q-2C	740	400	200AC	1.5	3	-	3,400	8.00	6.75
A7W13Q-8C	750	400	200AC	1.5	3	-	3,850	8.00	6.75
A7W13Q-5C	780	60	115AC	.81	1	4.0	3,275	8.00	6.25
A11U106P-1	800	60	208AC	.38	3	-	1,740	11.75	3.75
A7W13Q-20C	800	60	208AC	.75	3	-	3,450	8.00	6.75
A7W13Q-10C	845	60	115AC	1.3	1	2.5	3,320	8.00	7.88
A7W13Q-1CC	870	60	115AC	1.5	1	2.5	3,300	8.00	7.87
A7W13Q-12C	1,000	60	208AC	1.0	3	-	3,350	8.00	7.88
A7W13Q-13C	1,020	60	208AC	1.1	3	-	3,350	8.00	7.88
A7W13Q-11C	1,275	400	200AC	3.8	3	-	5,800	8.00	7.88
A7W13Q-9C	1,650	400	208AC	3.3	3	-	5,600	8.00	7.88

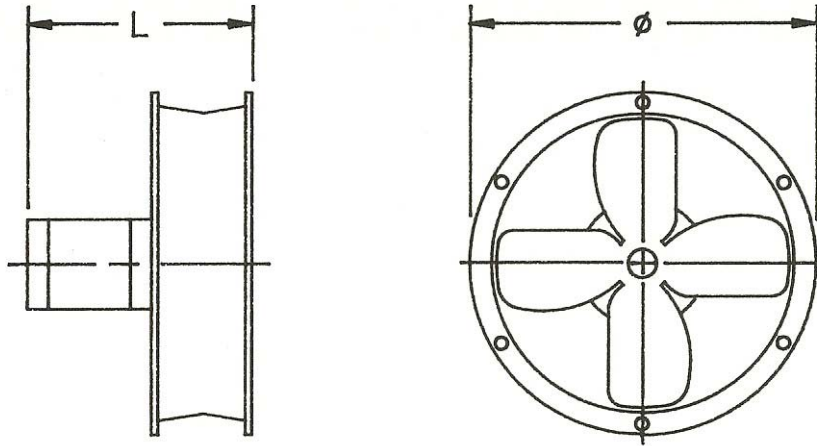
Features vary with applications and customer requirements and include:

- “High Slip” motors for operation at sea level and high altitude
- Optional guards, mounting rings and brackets
- Materials and finishes matched to operating environment
- Lead configurations, connectors or terminals
- Motor and propeller blades matched and balanced for optimum performance

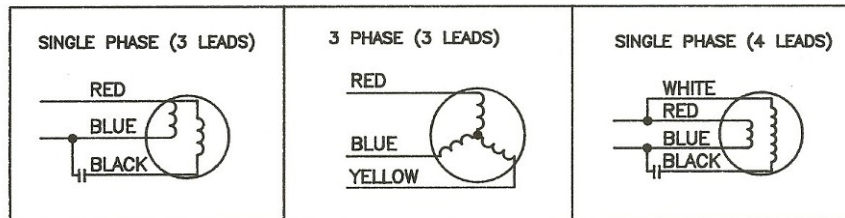
+++ Ashland Electric Products, Inc. is a Small Veteran Owned Business **+++**
www.ashlandelectric.com



AXIAL, TUBEAXIAL & PROPELLER FANS



STANDARD CONNECTION DIAGRAMS



Other **ASHLAND** Products Include:

- Centrifugal Blowers
- Radial Blade Blowers
- Multi Stage Blowers
- Crossflow Blowers
- Tangential Blowers
- Vaneaxial Fans
- Tubeaxial Fans
- Propeller Fans
- Torque Motors
- Induction Motors
- DC to AC inverters
- Stator & Rotor Sets
- Synchronous Motors
- Contract Machining

Features vary with applications and customer requirements and include:

- Optional mountings
- Single or dual stage design
- Conforms to applicable aerospace, defense and commercial specifications

+++ **Ashland Electric Products, Inc.** is a Small Veteran Owned Business +++
www.ashlandelectric.com